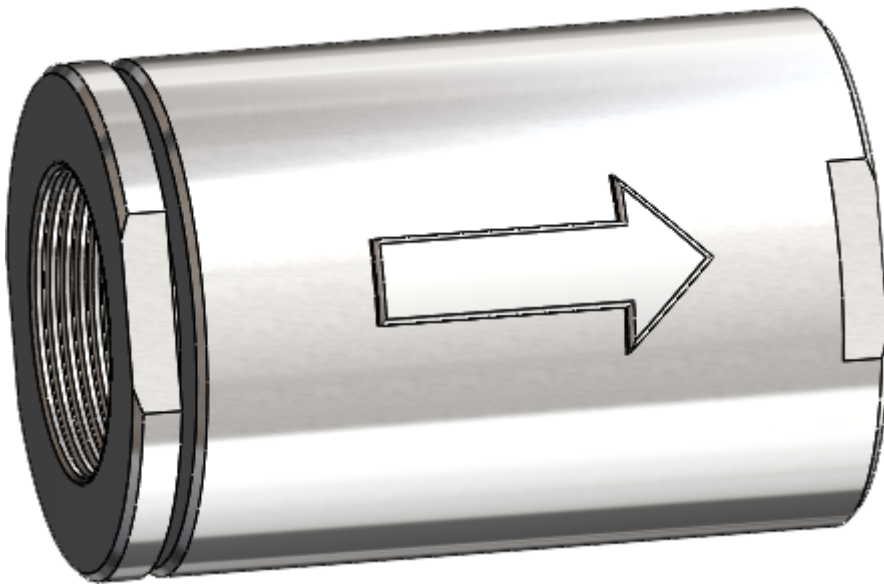


Model STF-05

Stainless Steel In-Line Compact Strainer Fitting



- Stainless Steel (Refer to **here** for the Hastelloy, Monel, Titanium, Alloy20 Compact Strainer)
- 1/4"-1" NPT threaded
- Pressures to 1500 PSI (~103 Bar); temp to 550 °F (288 °C)

Features

- **Body:** Standard materials are Stainless. (Hastelloy, Monel, Titanium, Alloy 20 also **available**).
- **Strainer element** Standard material is constructed of stainless steel wire mesh with openings as small as #500 mesh (0.001 inch, 25 micron. Custom alloys are also available as for body.
- **In-line ports:** NPT connections are standard. Custom runs can be made with special straight thread SAE type, MS or BSP connections as these are normally not stocked.

Applications

This compact strainer fitting can be used for liquids and gases for operating pressures typically up to 1500 PSI and temperatures up to 550 °F (consult factory for higher pressure and temperature ratings). It is used in many OEM applications to protect various pipeline components such as hydraulic pumps, valves, spray nozzles, etc. that require clean, filtered, or strained liquids to keep these devices operational. The strainer element is constructed of a stainless wire mesh with openings to screen out fine particles typically from #20 to #60 mesh (~.034 in-.009 in). The strainer element can only be removed for cleaning by removing the body closure while not under pressure.

This strainer fitting is used for OEM applications where space is limited or where the discharge from a blow-off connection is not practical or even hazardous. This strainer should be considered in applications that are relatively clean and where frequent

cleaning of the strainer element are not anticipated as frequently as in the "y"-strainer or basket type strainer. Even relatively clean piping systems have occasional bits and pieces of loose gasket material or other unexpected foreign materials that need to be kept out of the flow stream in critical systems where a more costly basket strainer may not be economical or practical or where space is limited.

The net clear strainer area is typically about 2.5 times the inlet area of the pipe connecting to the strainer. For larger area ratios, request model STF05-1, or the basket strainer models SBV05 or SBS10.

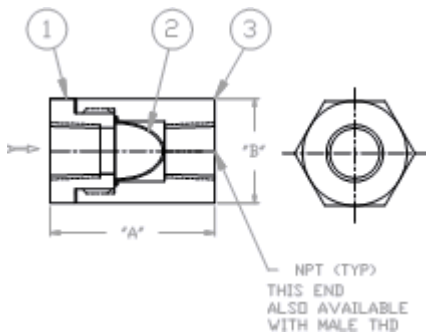
Options

This strainer is customizable. Specify materials and wire mesh size required. See pricing table below, or contact Straval for materials or mesh sizes not shown.

Principle of Operation

The strainer screen is positioned directly in the flow stream resulting in the minimum amount of pressure drop because the flow stream does not have to change direction which occurs in other types of strainers. Only particles smaller than what can pass through the strainer screen are permitted to flow through the strainer. Periodic cleaning of the strainer screen is required when excessive build up occurs in the screen causing flow blockage. This will be evident with an increase in pressure drop across the strainer and a reduction in flow. Even if no abnormal conditions are present, a periodic maintenance & inspection program should be planned to make sure the screen element is always clean and unobstructed.

Typical illustration STF05 #20-#40 mesh



STF-05

Specify wire mesh #20 to #40 mesh and materials

Material List and Specification

#	Item	Materials
1.	Closure	Stainless steel & Custom alloys
2.	Screen	Stainless steel & Custom alloys
3.	Body	Stainless steel & Custom alloys

Dimensions (inches)

Size (NPT)	A	B
1/4	1-5/8	1
3/8	2-1/4	1-1/2
1/2	2-3/4	1-3/4
3/4	3-1/8	2
1	3-7/8	2

Note: Dimensions are approximate and are subject to change without notice. Request certified dimensions before final product

installation.

1/4" STF05-02T

1500# psi Rating (~103 bar)

Particle sizes from:0.009-0.034 in (0.2286-0.8636 mm)

3/8" STF05-03T

1500# psi Rating (~103 bar)

Particle sizes from:0.009-0.034 in (0.2286-0.8636 mm)

1/2" STF05-05T

1500# psi Rating (~103 bar)

Particle sizes from:0.009-0.034 in (0.2286-0.8636 mm)

3/4" STF05-07T

1500# psi Rating (~103 bar)

Particle sizes from:0.009-0.034 in (0.2286-0.8636 mm)

1" STF05-10T

1500# psi Rating (~103 bar)

Particle sizes from:0.009-0.034 in (0.2286-0.8636 mm)

Select a specific particle size in the pricing pages from either the Perf or Mesh groups.